



Simplicity
AUSTRALIA

ALLROUNDER

305 & 308 Series



Australia's

FAVOURITE AIRSEEDER

www.simplicityaus.com.au



Farming in Australia has never been simple or easy and the requirement for high production and lower operational costs is continually increasing. As an Australian seeding equipment manufacturer we understand the challenges farming across this great nation can offer.

Each and every machine we make delivers rugged reliability and true flexibility. Our machines are designed to make your seeding both simpler and easier year after year. You can be certain when you purchase a “Simplicity” machine, you’re getting a machine designed and built to handle our conditions.

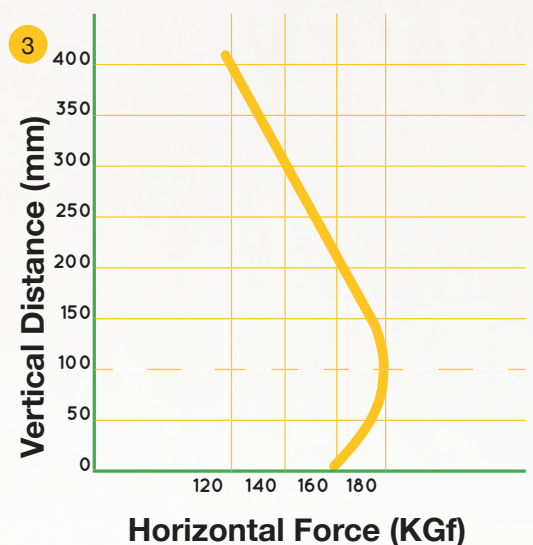
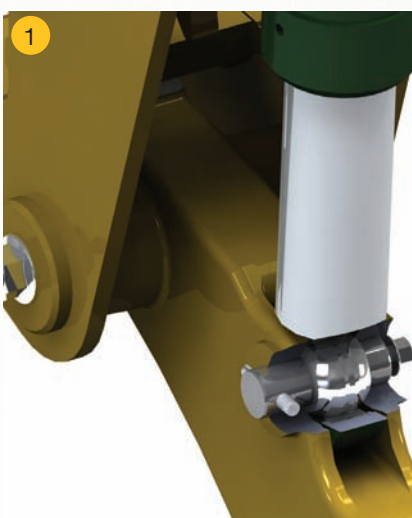
THE BEGINNING

The Allrounder story began during the mid 1990s. Broad acre farming practices were moving in varying degrees to more minimum tillage seeding systems. Equipment needed the ability to contend with trash and have a higher tyne breakout ability to cater for these changed farming conditions. These changes also gave rise to specialised planting equipment, only capable of performing set tasks.

Simplicity Australia saw the need for a machine, capable of doing both. This new planter would need innovative tynes with variable breakout, tynes which could be used for full tillage operations but still be able to fully utilise minimum tillage practices. It would need large tyres for excellent flotation, yet still be able to fit into controlled traffic specifications. The machine would need depth of frame to allow for high trash flow, and would need to be able to cater to different spacing's for our varied crop and moisture conservation techniques. In 1997 following a comprehensive design process, these requirements were fulfilled with the Allrounder.

THE TYNES

- 1 A spherical bearing on the top and bottom of the hydraulic ram means side loads are not transferred to the shaft seals or cylinder barrel. The result is a significant increase in seal life and general long term wear.
- 2 The complete Allrounder hydraulic tyne is an innovation in tyne engineering, due to the tyne breakout not only being adjustable "on-the-go" but importantly it's clever tyne geometry. During breakout the resistance force is initially increased, but as the tyne continues to be pushed back (if hitting a large obstacle) the tyne pressure then continually reduces allowing for a "stump-jump" action. Once the obstacle is cleared the tyne will then return to its working position at a controlled speed using oil flow as the dampener. The result is not only reducing damage to your shank and point, but the whole bar frame is not fatigued by heavy jarring recoils. It is astonishing listening to how quietly the Allrounder goes about this work!
- 3





Long stroke tilt rams means greater pitch control. Such a large range of movement makes the Allrounder highly serviceable, with the back row of points being able to be changed from a standing position.



Large in frame wheels maintain high levels of flotation in field and for transport. Wheel positions are set for effective operation in controlled traffic situations. Importantly the wheels are positioned centrally in the frame, which locates them close to the majority of tynes for best depth control.





The Allrounder's five bar configuration gives you both maximum trash flow and flexibility. By utilizing five rows of tynes we are able to maintain high levels of trash tolerance even down to as low as 200mm spacings. This same open, five bar design allows tyne spacing to be altered easily at a later date.



Our 305 Allrounder frame has been designed to incorporate strength and flexibility. Not only can the Allrounder be used for primary and secondary tillage as well as minimum till planting but most frame widths can be altered between 200mm, 250mm, 300mm and 333mm row spacings. This means that should you want to change your row spacings in years to come no frame modifications would normally be necessary.



305 SERIES



Tyre sizes are maximised to ensure the best possible flotation. Maintaining Large Agri Lug style tyres in the rear of the frame allow weight in transport to be handled effectively and allows minimal weight to be allocated to the front castors. Tyne patterns are designed to accommodate the rear wheels in frame but still maintain the trash flow capabilities expected of the Allrounder range.



The hydraulic cylinder connected to the rear axle activates both the front and rear wheels via a linkage and bell crank mechanism. This cuts down on the number of hydraulic cylinders used for lifting the bar, which lowers the oil flow requirement. Using this system mechanically ensures lifting will remain even and trouble free for many years to come.



9m		12m		15m		18m		20m	
Spacings	Tynes	Spacings	Tynes	Spacings	Tynes	Spacings	Tynes	Spacings	Tynes
250mm	37	250mm	49	250 mm	61	250mm	73	250mm	81
300mm	31	300mm	41	300 mm	51	300mm	61	300mm	67
333mm	28	333mm	36	333 mm	45	333mm	55		



308 SERIES



LESS OPTIONAL - MORE STANDARD



1) Dual Accumulators 2) Counter Balance Valve 3) Tyne Manifold 4) Stauff Clamps 5) Hydraulic Jack 6) Visual Depth Gauge 7) Tyne Attachment 8) Hydraulic Control Block - with filter



GROUND ENGAGEMENT

Drop Forged Tyne

The Drop Forged Tyne measures 50mm deep and 20mm wide (at the shank). The foot has a two bolt mount to attach your point or sweep. The mount hole diameter is 13mm or (1/2" inch) with a slotted top hole to cater for the different standard point mounts. The holes are positioned to cater for both 44mm centres (1-1/4" inch) and 57mm (2-1/4 inch). The Drop Forged Tyne is a universal shank to cater for anything from a spear point for minimum tillage seeding, to wide 47 degree sweeps for heavier tillage operations.

Drop Forged Tyne – Shown With Optional Seed Boot



Series K Minimum Till Tyne

The Series K Minimum Till Tyne, is a low disturbance minimum till seeding shank. The shank measures 50mm deep and is 20mm wide and the tooling attachment is done using a "Keech" adaptor. This caters for the Simplicity Inverted T point for optimal planting conditions and finish, or if you are moisture seeking and require high digging ability, the full range of "Keech" points can be quickly and easily fitted.

Minimum Till Tyne – Shown With Optional Seed Boot and Simplicity Inverted T Point



Series J Minimum Till Tyne

The Series J Minimum Till Tyne is designed as a low profile shank with an integrated boot fixed directly to the back of the shank. The Series J tyne has a profile of 20mm x 50mm and incorporates a Janke adaptor for compatibility with a huge range of Janke points. The major benefit of having the boot incorporated into the rear of the shank is in keeping the ground opening area compact. Having the boot directly behind the point with no gap in between means there is no infill prior to your seed being placed – regardless of the soil conditions.

Series J Minimum Till Tyne Shown with no point assembly



ALLROUNDER OPTIONS

Genuine Simplicity seeding kit options.

If you want to plant it, spread it, mix it, blend it, double or triple shoot it, Simplicity has the experience to make it happen.

Simplicity offers an in-frame press wheel assembly for the Allrounder field ready from the factory. Our press wheels have been designed to match the Allrounder perfectly, keeping weight transfer even throughout the bar and also having factory mounting positions catered for. They are built on the same principles as the Allrounder - simple, strong and with lots of flexibility.



Press Wheels

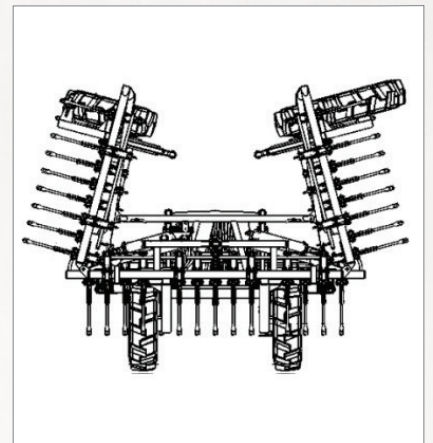
With the addition of the "Wheel Adjustment kit" and the "Sowing Boot kit" the Press wheel assemblies can be upgraded to produce a true ground following, double shoot seeding system. A range of Press wheel types are available to cater for your conditions and techniques.

Simplicity Press Wheel - Shown with optional wheel adjustment kit, optional second seed boot and optional mud scraper.



Wing Wheel Isolation

A feature drawn from our large double fold models – wing wheel isolation utilises solenoid switching to separate the hydraulic circuit of the centre wheels from the wing wheels. This allows the wing wheels to be retracted into the frame to reduce transport width.



Seeder Pull Options

Seeder pull options are available for the full Allrounder range to suit any model Simplicity Seeder.



305 AR Cultivator Specifications

Width	6m	7m	8m	9m	10m	11m	12m	13m	14m	15m
Wheel Centres Std/Opt	2m	2m	2m/3m	2m/3m	2m/3m	3m	3m	3m	4m(S)/3m(D)	4m
Fold	Single	Single	Single	Single	Single	Single	Single/ Double	Single	Single/ Double	Double
Number of Tynes										
200mm	31	35	41	45	51	55	61	65	n/a	n/a
250mm	25	29	33	37	41	45	49	53	57	61
300mm	21	25	27	31	35	37	41	45	47	51
333mm	19	23	25	27	31	33	37	39	43	45
333mm (with no centre tyne)	18	22	24	28	30	34	36	40	42	46
Transport Dimensions										
Height (metres)	2.9	3.4	3.9/3.6	4.5/4.1	5/4.6	5	5.5/4.7	6	6.0/4.6	4.6
Width (metres) (Less may be obtained if shanks are reversed)	5.5	5.5	5.5/6.1	5.4/6.1	5.5/6.1	6.1	6.1/6	6.1	7.1/6.7	7.7
Tyres										
Centre Frame	15.5/80 x24 16ply	15.5/80 x24 16ply	15.5/80 x24 16ply	15.5/80 x24 16ply	15.5/80 x24 16ply	15.5/80 x24 16ply	15.5/80 x24 16ply	15.5/80 x24 16ply	560/60 22.5 Trelleborg radial	560/60 22.5 Trelleborg radial
Wings - First Fold	10.5/80 x18 10ply	10.5/80 x18 10ply	10.5/80 x18 10ply	15.5/80 x24 16ply	15.5/80 x24 16ply	15.5/80 x24 16ply	15.5/80 x24 16ply	15.5/80 x24 16ply	15.5/80 x24 16ply	15.5/80 x24 16ply
Wings - Second Fold							10.5/80 x18 10ply		15.5/80 x 24 16ply	15.5/80 x 24 16ply

General Specifications (When fitted with Simplicity Inverted T Point)

Under Frame Clearance (Ground to underside of bar frame)	815mm (adjustable)
Road Transport (Ground to underside of shank-no point)	385mm maximum (adjustable)
Max Working Depth	260mm maximum (adjustable)

Tynes

Breakout Force:	Instantly adjustable from 100lb to 750lb
Weight:	29.6kg
Bar Size:	100 x 100mm
Attachment:	2 x 16mm "V" Bolts
Width Attachment:	135mm
Tyne Shank:	2 x 1/2" bolts - 1 3/4" - 2 1/4" Centres, 47°
Tyne Section:	Edge on 50 x 20mm vertically adjustable
Vertical Tyne Adjustment:	60mm with 2 x 12mm Dura Lock Bolts in 20mm increments
Maximum Jump Height:	577mm

Optional Equipment

Genuine Shank and Point Options Available
 Seeding Kit and Boots to suit
 Wing Wheel Isolation Circuit - reduces transport width

Specifications are subject to change without notice



18 Loudoun Road, PO Box 267, Dalby QLD 4405

P: (07) 4660 6000 / F: (07) 4660 6030

www.simplicityaus.com.au



**Australian Made
Australian Quality**

29600